

# Spare Part List & Exploded View

## Liste des Pièces détachées et Vues éclatées

**WIM-09320.MH**

**R32**

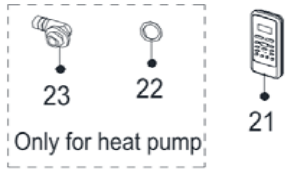


**Updated on: 29 JUN 20**

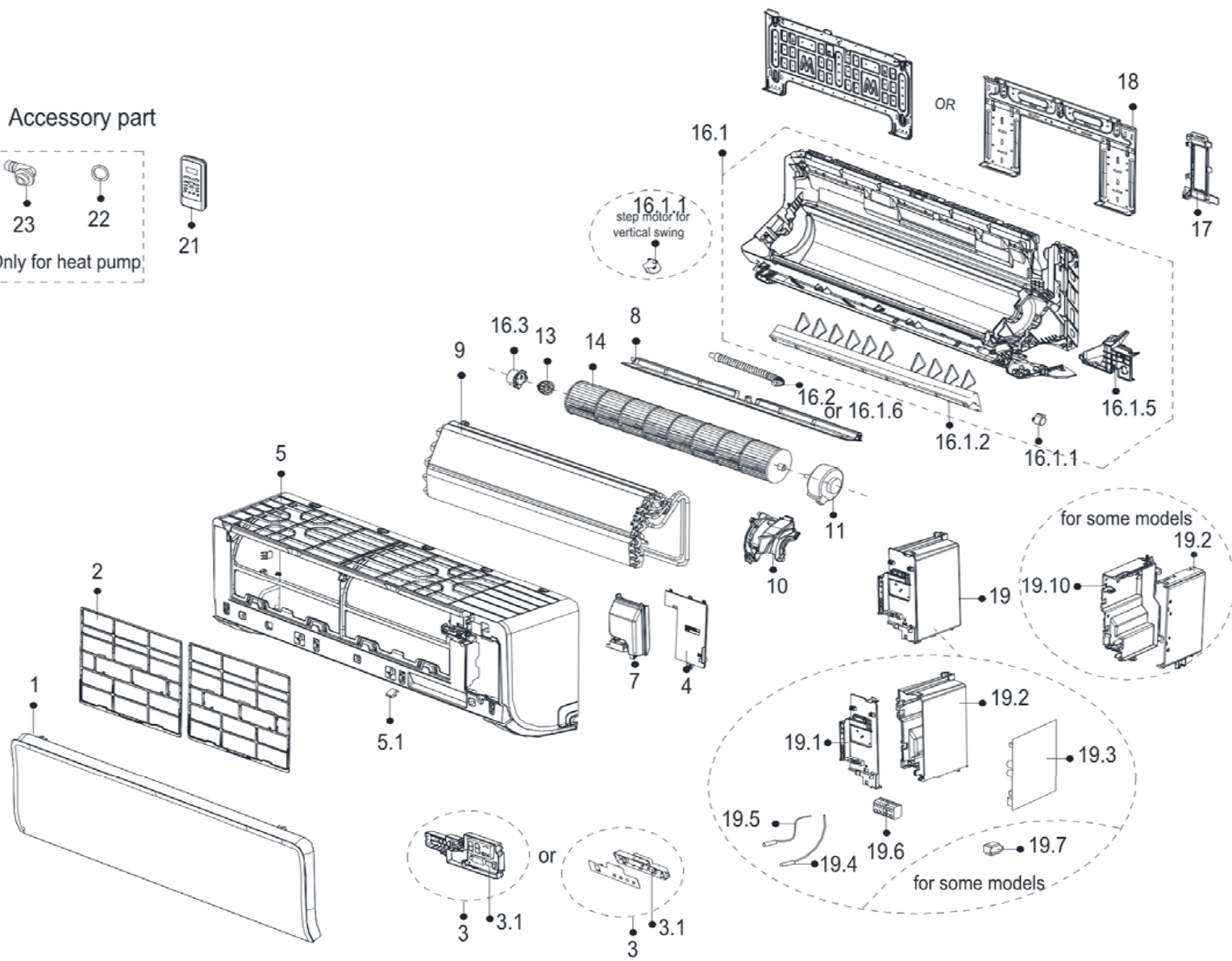
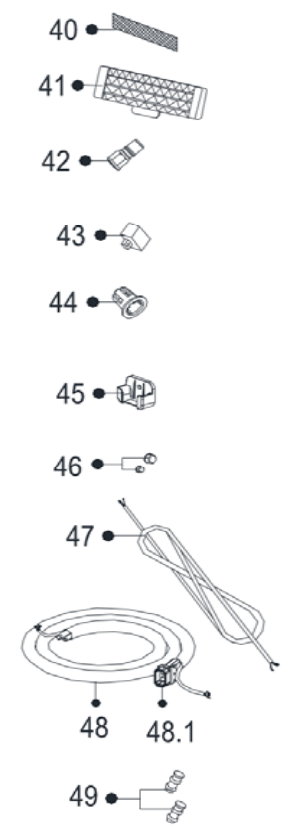
# Exploded View - Vues éclatées

## WIM-09320.MH INDOOR UNIT – UNITE INTERIEURE

### Accessory part



### Optional part



**WIM-09320.MH INDOOR UNIT - UNITE INTERIEURE****Spare parts list  
Liste des pièces détachées**

| N°     | Part Name   | Part Code      | Qty | Qty to order |
|--------|---|----------------|-----|--------------|
| 1      | Panel Assembly                                    | 12122000025634 | 1   |              |
| 2      | Filter Filter Subassembly                         | 12100204000522 | 2   |              |
| 3      | Display Box Subassembly                           | 17222000030895 | 1   |              |
| 3.1    | Display Board Subassembly                         | 17122000047923 | 1   |              |
| 4      | Cover Of Electrical Equipment                     | 12122000024739 | 1   |              |
| 5      | Panel Frame Assembly                              | 12122000025633 | 1   |              |
| 5.1    | Screw Cap   | 12122000009477 | 1   |              |
| 7      | Cover Board For Wiring                            | 12122000025064 | 1   |              |
| 8      | Horizontal Louver Assembly                        | 12122000024721 | 1   |              |
| 9      | Evaporator Assembly                               | 15822000010276 | 1   |              |
| 10     | Fan Motor Cover                                   | 12122000024722 | 1   |              |
| 11     | Brushless Dc Motor                                | 11002015000150 | 1   |              |
| 13     | Bearing Base                                      | 12622000000006 | 1   |              |
| 14     | Cross Flow Fan                                    | 12100102000576 | 1   |              |
| 16     | Chassis Assembly                                  | 12122000025981 | 1   |              |
| 16.1   | Chassis Assembly                                  | 12122000026442 | 1   |              |
| 16.1.1 | Stepper Motor                                     | 11002010000143 | 1   |              |
| 16.1.2 | Vortex Tongue Bar                                 | 12122000024736 | 1   |              |
| 16.1.5 | Anti Mouse Baffle                                 | 12122000024735 | 1   |              |
| 16.1.6 | Drain Hose  | 12100501000032 | 1   |              |
| 16.3   | Bearing Holder                                    | 12122000000350 | 1   |              |
| 17     | Pipe Clamp Board                                  | 12122000012943 | 1   |              |
| 18     | Installation Plate                                | 12222000000018 | 1   |              |
| 19     | Electronic Control Box Subassembly (Mid-And Low-) | 17222000031394 | 1   |              |
| 19.1   | Cover Of Electronic Control Box (Bmc)             | 12122000025621 | 1   |              |
| 19.2   | Electronic Control Box                            | 12122000024733 | 1   |              |
| 19.3   | Main Control Board Subassembly                    | 17122000048504 | 1   |              |
| 19.4   | Room Temperature Sensor                           | 11201007003424 | 1   |              |
| 19.5   | Pipe Temperature Sensor                           | 11201007003447 | 1   |              |
| 19.6   | Wire Joint  | 17400401000576 | 1   |              |
| 21     | Remote Controller                                 | 17317000007594 | 1   |              |
| 22     | Seal Ring   | 12600701000039 | 1   |              |
| 23     | Drain Hose  | 12100509000061 | 1   |              |
| 40     | Air Freshening Filter                             | 12100204000685 | 1   |              |
| 46     | Copper Nut  | 15500406000016 | 1   |              |
| 46     | Copper Nut  | 15500406000010 | 1   |              |

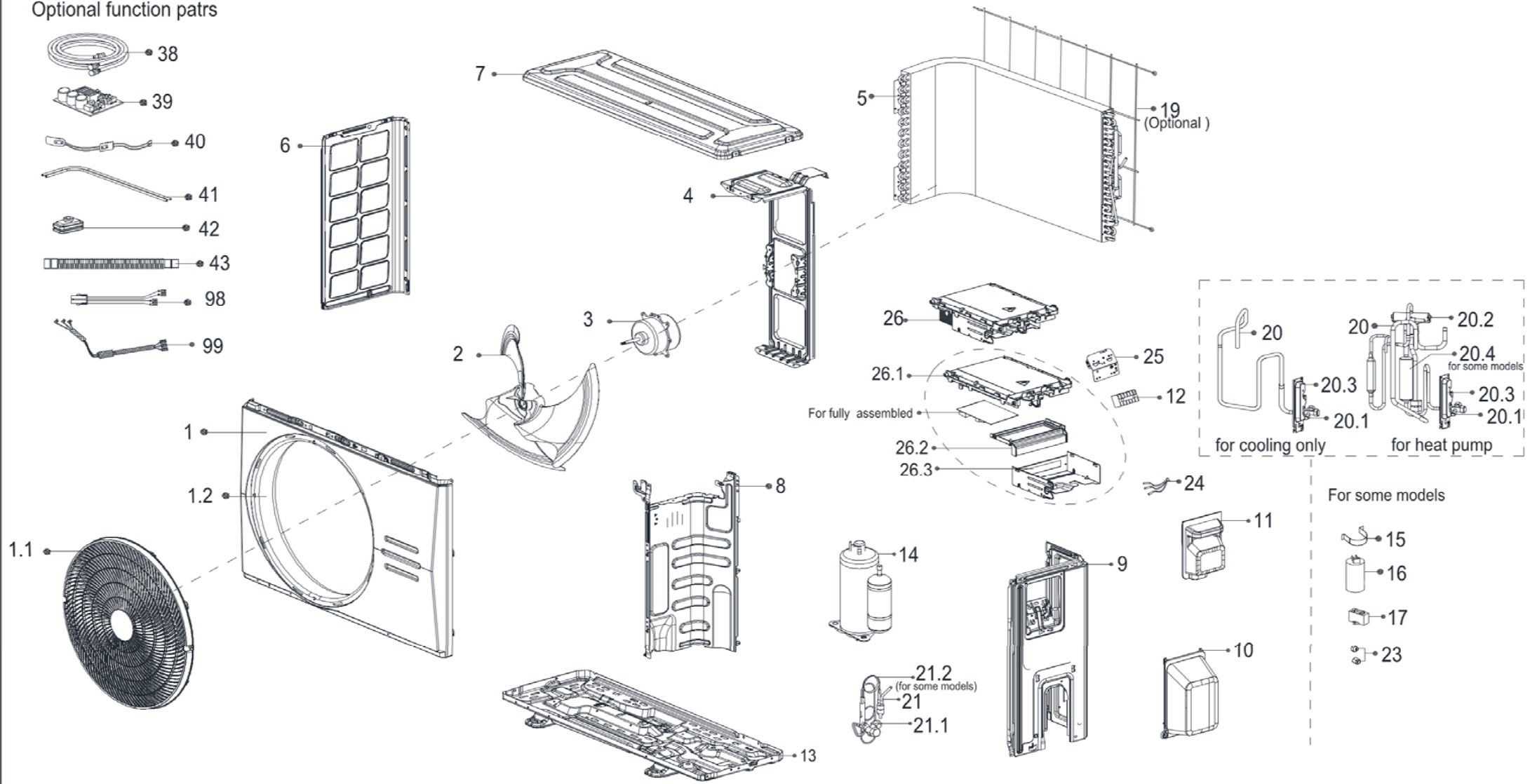
Specifications are subject to possible modifications without prior notice. Les présentes spécifications sont susceptibles d'être modifiées sans préavis. Las especificaciones están sujetas a cambios sin previo aviso

# Exploded View - Vues éclatées

## WIM-09320.MH OUTDOOR UNIT – UNITE EXTERIEURE

### Optional function parts

- 38
- 39
- 40
- 41
- 42
- 43
- 98
- 99



**WIM-09320.MH OUTDOOR UNIT - UNITE EXTERIEURE****Spare parts list  
Liste des pièces détachées**

| N°   | Part Name                             | Part Code      | Qty | Qty to order |
|------|---------------------------------------|----------------|-----|--------------|
| 1    | Front Panel Assembly                  | 12222000013235 | 1   |              |
| 1.1  | Air Outlet Grille                     | 12122000026061 | 1   |              |
| 1.2  | Front Panel                           | 12222000013236 | 1   |              |
| 2    | Axial Flow Fan                        | 12100105000961 | 1   |              |
| 3    | Brushless Dc Motor                    | 11002015009925 | 1   |              |
| 4    | Supporter Of Fan Motor                | 12222000013233 | 1   |              |
| 5    | Condenser Assembly                    | 15822000010456 | 1   |              |
| 6    | Left Supporter                        | 12222000013238 | 1   |              |
| 7    | Top Cover Assembly                    | 12222000013240 | 1   |              |
| 8    | Partition Board                       | 12222000013232 | 1   |              |
| 9    | Right Clapboard Assembly              | 12222000013225 | 1   |              |
| 10   | Water Collector                       | 12122000007150 | 1   |              |
| 11   | Big Handle                            | 12122000027482 | 1   |              |
| 12   | Terminal                              | 17400401000016 | 1   |              |
| 13   | Chassis Assembly                      | 12222000013228 | 1   |              |
| 14   | Dc Inverter Rotary Compressor         | 11103020000239 | 1   |              |
| 20   | 4-Way Valve Assembly                  | 15422000017852 | 1   |              |
| 20.1 | Gas Valve                             | 15500204000021 | 1   |              |
| 20.2 | 4-Way Valve                           | 15500216001903 | 1   |              |
| 20.3 | Valve Plate                           | 12222200005738 | 1   |              |
| 20.4 | Muffler Subassembly                   | 15122000026302 | 1   |              |
| 21   | Liquid Valve Assembly                 | 15422000017853 | 1   |              |
| 21.1 | Liquid Valve                          | 15500208000046 | 1   |              |
| 23   | Copper Nut                            | 15500406000010 | 1   |              |
| 23   | Copper Nut                            | 15500406000016 | 1   |              |
| 24   | Combination Sensor                    | 11201011000067 | 1   |              |
| 25   | Terminal Board                        | 12222000002259 | 1   |              |
| 26   | Electronic Control Box Subassembly    | 17222000031395 | 1   |              |
| 26.1 | Support Of Electronic Control Box     | 12122000024223 | 1   |              |
| 26.2 | Fixing Board                          | 12122000024222 | 1   |              |
| 26.3 | Electronic Installing Box Subassembly | 12222000012106 | 1   |              |
| 99   | Compressor Wire Subassembly           | 17401203012697 | 1   |              |

Specifications are subject to possible modifications without prior notice. Les présentes spécifications sont susceptibles d'être modifiées sans préavis. Las especificaciones están sujetas a cambios sin previo aviso