

Spare Part List & Exploded View

Liste des Pièces détachées et Vues éclatées

WIM-18322.MH

R32

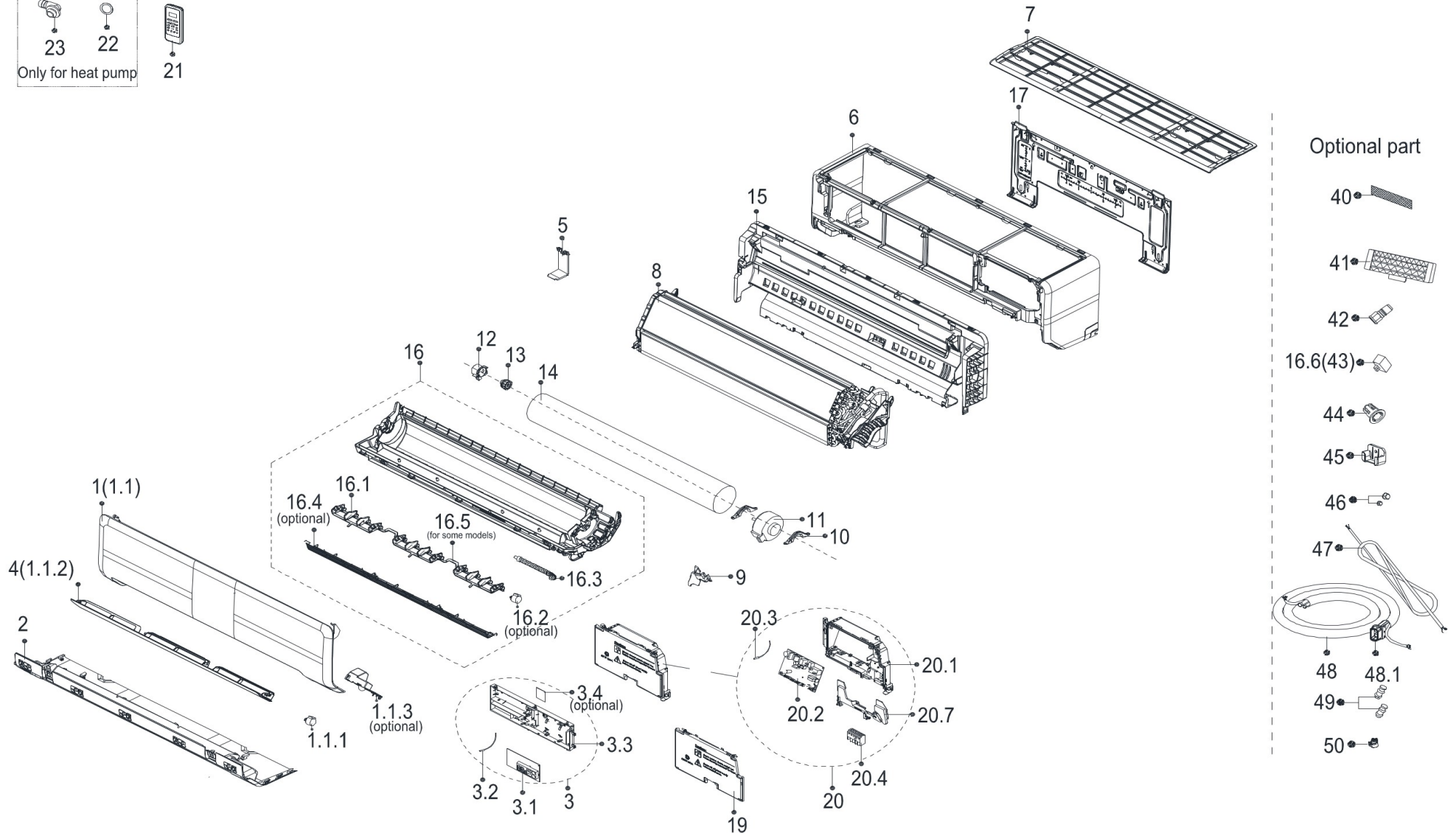
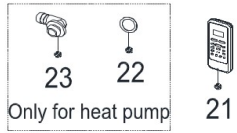


Updated on: 15 SEPT 21

Exploded View - Vues éclatées

WIM-18322.MH INDOOR UNIT – UNITE INTERIEURE

Accessory part



Photos non contractuelles

WIM-18322.MH INDOOR UNIT - UNITE INTERIEURE**Spare parts list
Liste des pièces détachées**

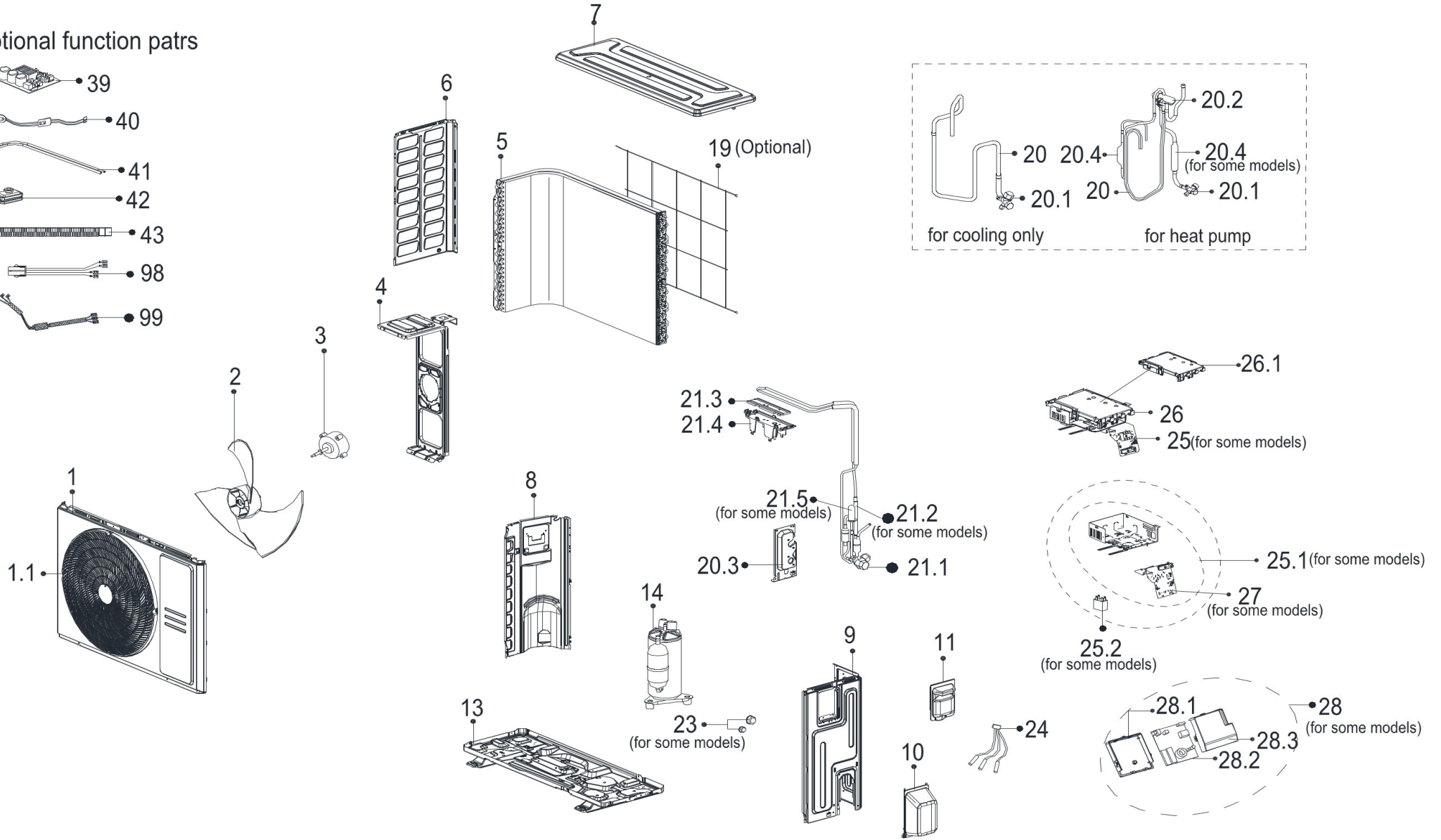
N°	Part Name	Part Code	Qty	Qty to order
1	Panel Assembly	12122000027561	1	
1.1	Panel Assembly	12122000027562	1	
1.1.1	Stepper Motor	11002010001446	1	
1.1.2	Horizontal Louver	12122000027035	1	
2	Panel Assembly	12122000027037	1	
3	Display Box Subassembly	17222000032604	1	
3.1	Display Board Subassembly	17122000050213	1	
3.2	Room Temperature Sensor	11201007003103	1	
3.3	Display Box	12122000026921	1	
5	Chassis Support I	12122000026621	1	
6	Panel Frame Assembly	12122000027027	1	
7	Filter Filter Subassembly	12122000027040	1	
8	Evaporator Assembly	15822000011099	1	
9	Pipe Clamp Board	12122000027026	1	
10	Fixing Board Of Fan Motor	12122000011994	2	
11	Brushless Dc Motor	11002015011867	1	
12	Bearing Holder	12122000000350	1	
13	Bearing Components	12622000000131	1	
14	Cross Flow Fan	12100102000131	1	
15	Chassis Assembly(Above)	12122000027029	1	
16	Chassis Assembly(Below)	12122000027564	1	
16.1	Horizontal Louver	12122000027039	3	
16.3	Drain Hose	12100501000032	1	
17	Installation Plate Subassembly	12222000013906	1	
19	Cover Of Electronic Control Box Subassembly	12122000026601	1	
20	ronic Control Box Subassembly (Mid-And Low-	17222000032757	1	
20.1	Electronic Control Box Subassembly	12122000026606	1	
20.2	Main Control Board Subassembly	17122000050365	1	
20.3	Pipe Temperature Sensor	11201007003445	1	
20.4	Wire Joint	17400401000576	1	
20.7	Electrical Control Box Holder	12122000026605	1	
21	Remote Controller	17317000007594	1	
22	Seal Ring	12600701000039	1	
23	Drain Hose	12100509000061	1	
40	Air Freshening Filter	12100204000685	1	
42	Check Valve	15500209000001	1	
46	Copper Nut	15500406000016	1	
46	Copper Nut	15500406000012	1	

Exploded View - Vues éclatées

WIM-18322.MH OUTDOOR UNIT – UNITE EXTERIEURE

Optional function parts

- 39
- 40
- 41
- 42
- 43
- 98
- 99



Photos non contractuelles

WIM-18322.MH OUTDOOR UNIT - UNITE EXTERIEURE**Spare parts list
Liste des pièces détachées**

N°	Part Name	Part Code	Qty	Qty to order
1	Front Panel	12222000013505	1	
1.1	Air Outlet Grille	12122000026421	1	
2	Axial Flow Fan	12100105000841	1	
3	Brushless Dc Motor	11002015000366	1	
4	Supporter Of Fan Motor	12222000012371	1	
5	Condenser Assembly	15822000009836	1	
6	Left Supporter	12222000012929	1	
7	Top Cover Assembly	12222200005737	1	
8	Partition Board	12222000012366	1	
9	Right Clapboard Assembly	12222000012930	1	
10	Water Collector	12122000007150	1	
11	Big Handle(Bmc)	12122000024624	1	
12	Terminal	17400401000016	1	
13	Chassis Assembly	12222000013647	1	
14	Dc Inverter Rotary Compressor	11103020006459	1	
20	4-Way Valve Assembly	15422000018615	1	
20.1	Gas Valve	15500204000058	1	
20.2	4-Way Valve	15500216000026	1	
20.3	Valve Plate	12222200005738	1	
20.4	Muffler Subassembly	15122000027215	1	
21	Liquid Valve Assembly	15422000018372	1	
21.1	Liquid Valve	15500208000028	1	
21.2	Throttle Valve	15500210003608	1	
21.3	Radiator	11203803001176	1	
21.4	U-Typed Support With Copper Pipe	12122000011478	1	
21.5	Electronic Expansion Valve Subassembly	15500213000047	1	
23	Copper Nut	15500406000012	1	
23	Copper Nut	15500406000016	1	
24	Combination Sensor	11201011000188	1	
25	Terminal Board Subassembly	17222000031763	1	
26	Electronic Control Box Subassembly	17222000032758	1	
26.1	Electronic Installing Box	12122000008999	1	
99	Compressor Wire Subassembly	17401203012697	1	