

Spare Part List & Exploded View

Liste des Pièces détachées et Vues éclatées

WIZ-09222.MH

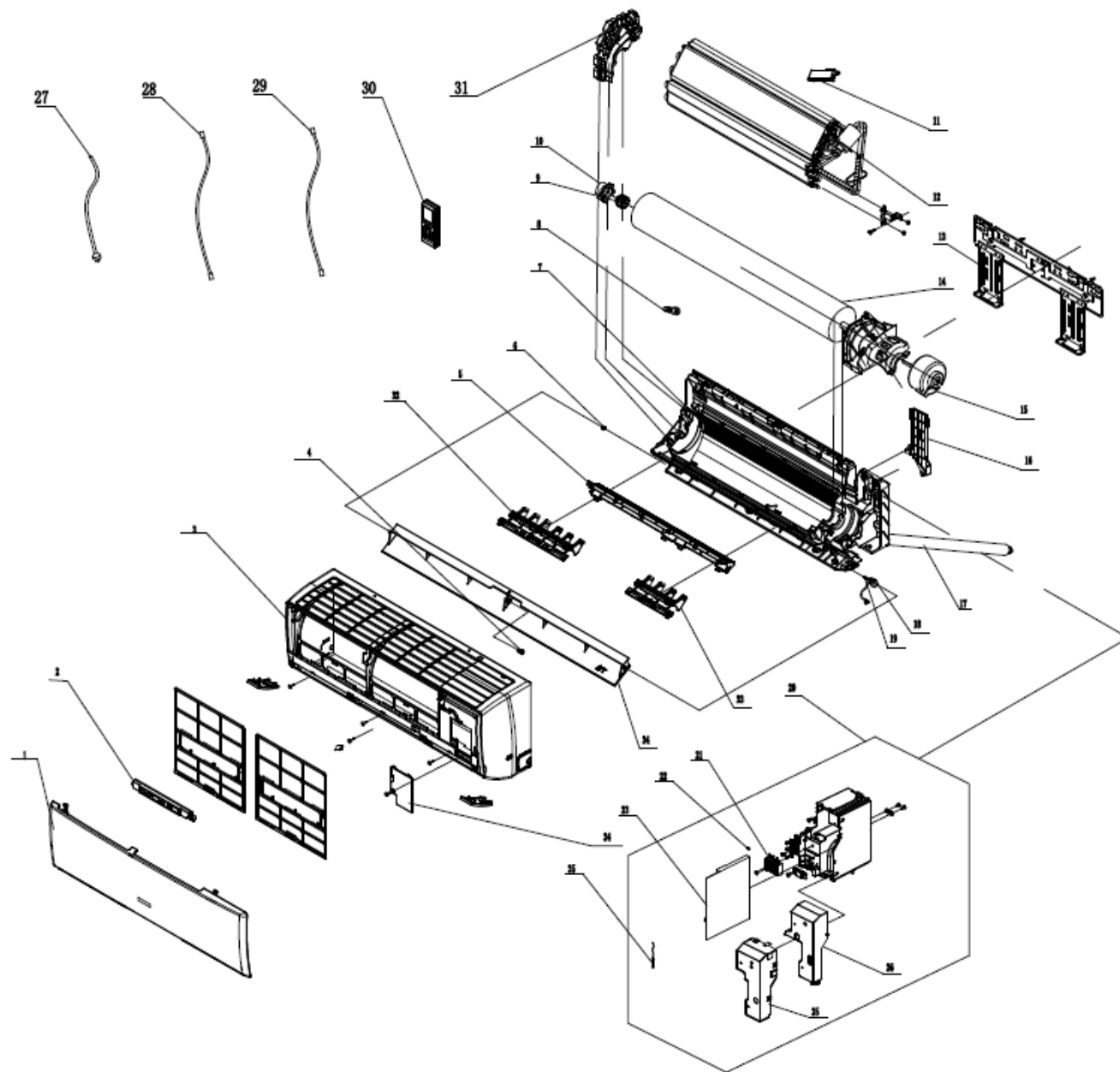
R32



Updated on: 15 MAR 23

Exploded View - Vues éclatées

WIZ-09222.MH INDOOR UNIT – UNITE INTERIEURE



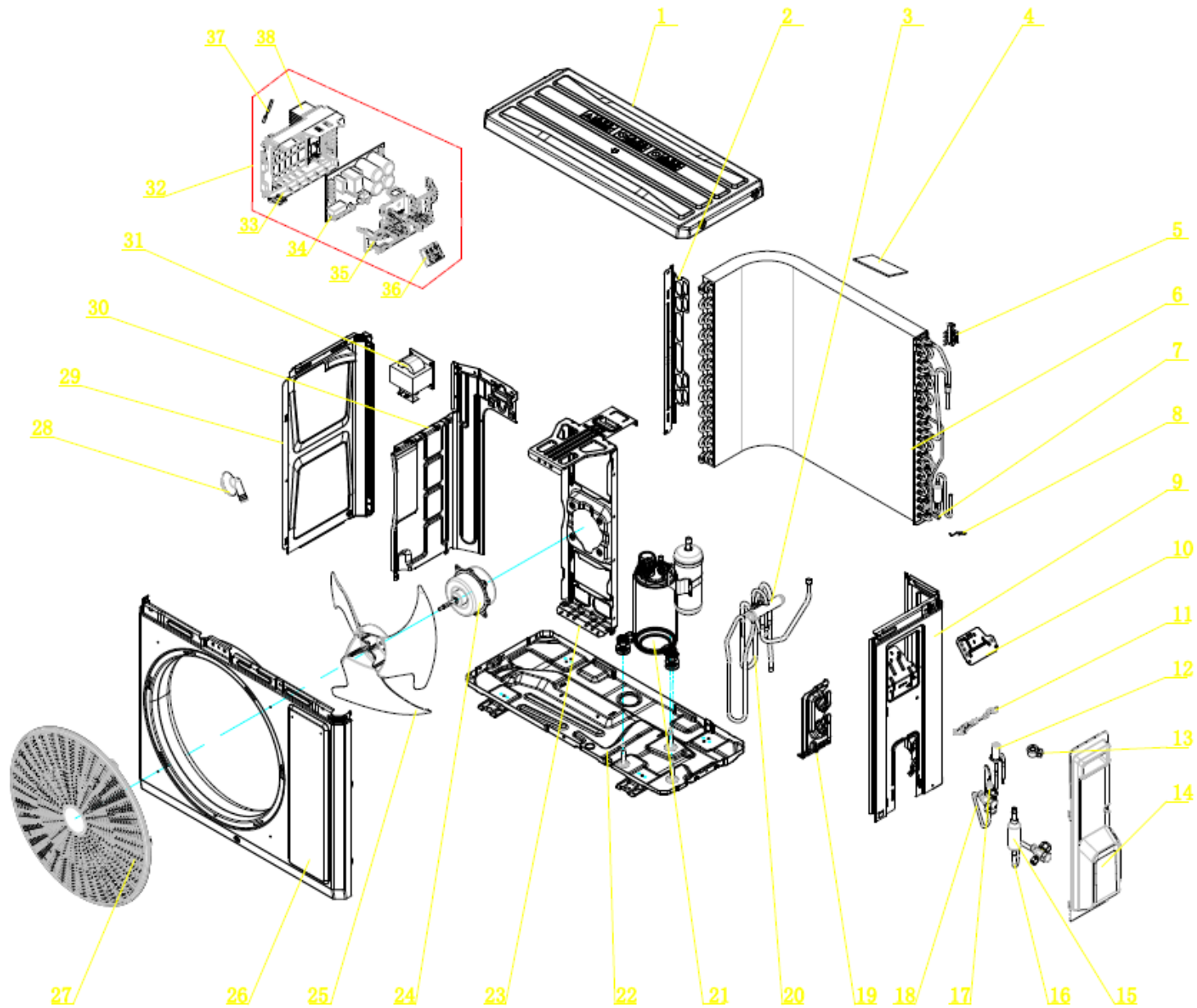
Photos non contractuelles

WIZ-09222.MH INDOOR UNIT - UNITE INTERIEURE**Spare parts list****Liste des pièces détachées**

N°	Part Name	Part Code	Qty	Qty to order
1	Front Panel	20000300100T02	1	
2	Display Board	300001060212	1	
3	Front Case Assy	00000200041	1	
4	Axile Bush	10542036	1	
5	Helicoid Tongue	26112509	1	
6	Left Axile Bush	10512037	1	
7	Rear Case Assy	20022732	1	
8	Rubber Plug (Water Tray)	76712012	1	
9	O-Gasket Sub-Assy Of Bearing	76512051	1	
10	Ring Of Bearing	26152022	1	
11	Cold Plasma Generator	none	0	
12	Evaporator Assy	0100297202	1	
13	Wall Mounting Frame	01363013	1	
14	Cross Flow Fan	10352058	1	
15	Fan Motor	15012115	1	
16	Connecting Pipe Clamp	2611216401	1	
17	Drainage Hose	0523001408	1	
18	Stepping Motor	1521212901	1	
19	Crank	73012005	1	
20	Electric Box Assy	100002079013	1	
21	Terminal Board	422000000022	1	
22	Jumper Cap	4202021929,00	1	
23	Main Board	300002062221	1	
24	Electric Box Cover2	200082060013	1	
25	Shield Cover Of Electric Box Cover	none	0	
26	Electric Box Cover	200082060012	1	
27	Power Cord	none	0	
28	Connecting Cable	none	0	
29	Connecting Cable	4002052317	0	
30	Remote Controller	305001000087	1	
31	Evaporator Support	24212180	1	
32	Air Louver 2	10512730	1	
33	Air Louver 1	10512729	1	
34	Guide Louver	1051232501	1	
35	Temperature Sensor	3900031302	1	
36	Filter Sub-Assy	11122157	2	

Exploded View - Vues éclatées

WIZ-09222.MH OUTDOOR UNIT – UNITE EXTERIEURE



WIZ-09222.MH OUTDOOR UNIT - UNITE EXTERIEURE**Spare parts list
Liste des pièces détachées**

N°	Part Name	Part Code	Qty	Qty to order
1	Top Cover Assy	01204906008702P	1	
2	Supporting Board(Condenser)	012072061032	1	
3	4-Way Valve	430004022	1	
4	Sponge(Condenser)	1212309101	1	
5	Temperature Sensor Support	24213042	1	
6	Condenser Assy	011002062000	1	
7	Temp Sensor Sleeving	05212423	1	
8	Sensor Insert	42020063	1	
9	Right Side Plate	01205606031101P	1	
10	Earthing Plate Sub-Assy	012002060009	1	
11	Wire Clamp	200015060018	1	
12	Electronic Expansion Valve	none	0	
13	Electric Expand Valve Fitting	none	0	
14	Handle	200149060013	1	
15	Silencer	07243067	1	
16	Cut-Off Valve 1/4(N)	07000106001501	1	
17	Strainer (Fork Shape)	0721111031	1	
18	Cut-Off Valve 3/8(N)	07000106001401	1	
19	Valve Support	012044060018P	1	
20	4-Way Valve Assy	030152060486	1	
21	Compressor And Fittings	009001060484	1	
22	Chassis Sub-Assy	017000060511P	1	
23	Motor Support	01204806011101	1	
24	Brushless Dc Motor	1501308517	1	
25	Axial Flow Fan	10333428	1	
26	Front Panel Assy	000003060322	1	
27	Front Grill	200057060007	1	
28	Drainage Joint	26113009	1	
29	Left Side Plate	012055060256P	1	
30	Clapboard	012051060895	1	
31	Reactor	none	0	
32	Electric Box Assy	100002069939	1	
33	Electric Box	200013060073	1	
34	Main Board	300027061312	1	
35	Electric Box Cover	200082060058	1	
36	Terminal Board	422000060016	1	
37	Temperature Sensor	3900030811	1	
38	Radiator	430034060108	1	

Specifications are subject to possible modifications without prior notice. Les présentes spécifications sont susceptibles d'être modifiées sans préavis. Las especificaciones están sujetas a cambios sin previo aviso